

LOG SPLITTER

REM POWER LSEm 22000 PTO

Order No.: 500220000110

EAN code: 3831081008091



The **REM POWER LSEm 22000 PTO**, with 22 tons of splitting force, is a powerful machine designed for semi-professional use and extremely demanding conditions. It effortlessly splits **massive hardwood logs** (such as beech or oak) as well as heavily knotted or gnarled pieces of wood that smaller tools struggle with.

The splitter easily handles logs with a diameter of **up to 35 cm** and meter-long logs.

The **REM POWER LSEm 22000 PTO** is designed as a floor-standing model so that heavy logs can be placed directly on the ground using the **built-in log lift**, which protects your back.

It operates via the **PTO** (tractor hydraulics) to ensure a constant supply of the necessary hydraulic power. Standard two-handed operation and a robust steel construction ensure stability and protection under high pressure.

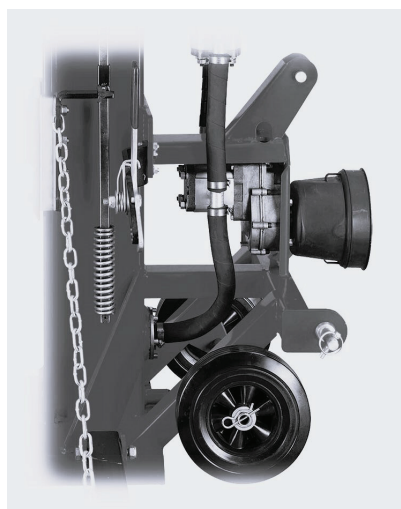
This splitter is the right choice if you process large quantities of firewood annually and don't want to shy away from thick logs.

The **REM POWER LSEm 22000 PTO** is therefore the ideal solution for use directly in the forest.

REM POWER LSEm 22000 PTO equipped with:

- PTO connection
- PTO connection guard
- 2 speeds
- Wheels for easier transport
- Support wheel
- Metal construction
- Lifting arm
- Lifting arm mount
- Splitter mount
- Tractor attachment points (2 lower / 1 upper)





TECHNICAL DATA

LOG SPLITTER	
Drive	PTO
Max. hydraulic force	275 bar
Max. speed PTO	540 min ⁻¹
Log length	56 - 110 cm
Log diameter	Ø 8 - 30 cm
Max. splitting force	22 t
Splitting stroke	94,8 cm
GENERAL	
Dimensions (L × W × H)	105 × 170 × 250 cm
Noise	62 db (A)
Weight	287 kg